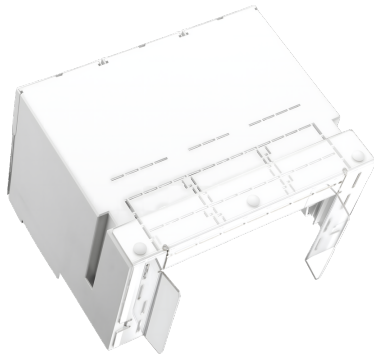


IP20 protection cover (front) (32701)



The picture may show a similar product.

Description

Part No.: **32701** 000A

IP20 protection cover (front)

incl. 3 top covers

300 mm wide

for Eaton NZM4, GE FK1600, Legrand DPX³ 1600

System

185Power

Product group 05

Subgroup 57

pack size 1

EAN 4021267327019

ETIM 5.0 EC002498

ETIM 8.0 EC002498

ETIM 10.0 EC002498

Approvals

Standards

IEC 61439-1:2020

type number: C185-E

CCC approval: no certification required

Technical data

Details IEC

Standards

IEC 61439-1:2020

Mechanical data

W x H x D: 297 x 232 x 194

weight: 123.8 kg/100

poles: 3-pole

Material properties

halogen-free: Yes

Application notes

not applicable, since the product does not contain or carry any live parts or is not stressed in the case of a short-circuit

Accessories

covers



32704 000A

touch-safe protection shroud IP20 (rear installation)
for all adapters

<https://pim.woehner.de/EN/EN/1000174139>